

# Sperre Pleat Combi-cooler



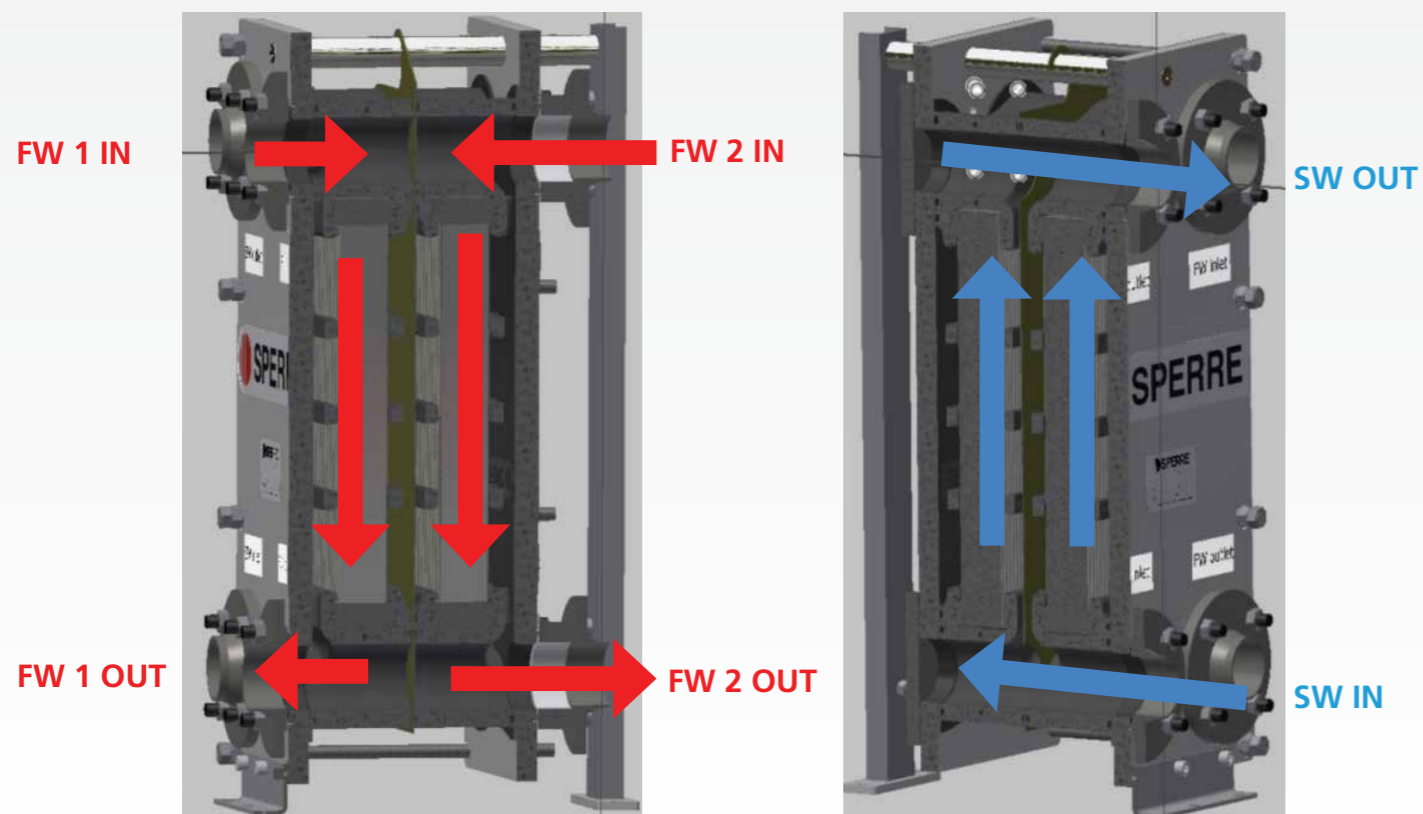
# Sperre Pleat Combi-cooler

## - Combi-cooler benefits



- Sperre Pleat Combi-cooler:**
- Saves space in engine room
  - Saves piping
  - Saves cost

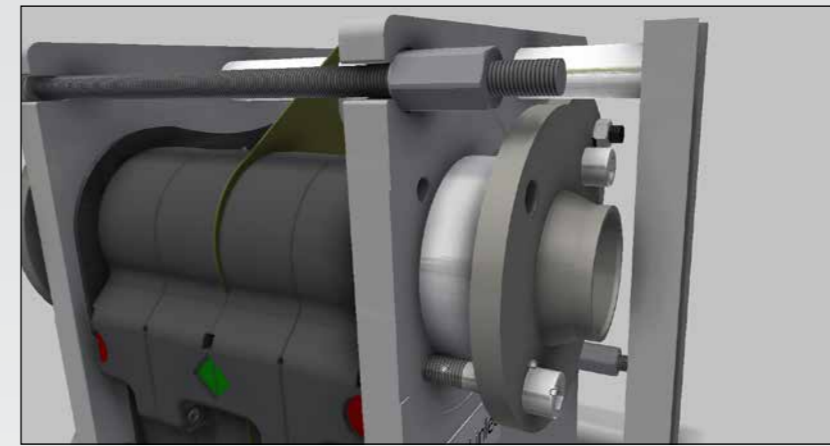
## - Flow through the Sperre Pleat Combi-cooler



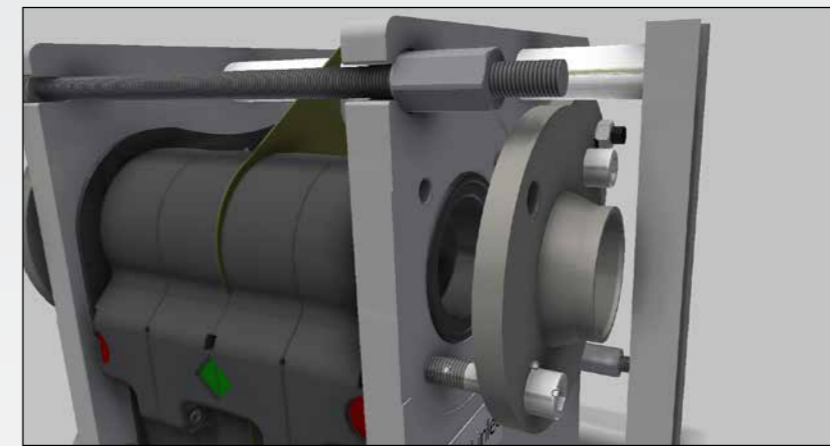
# Sperre Pleat Combi-cooler



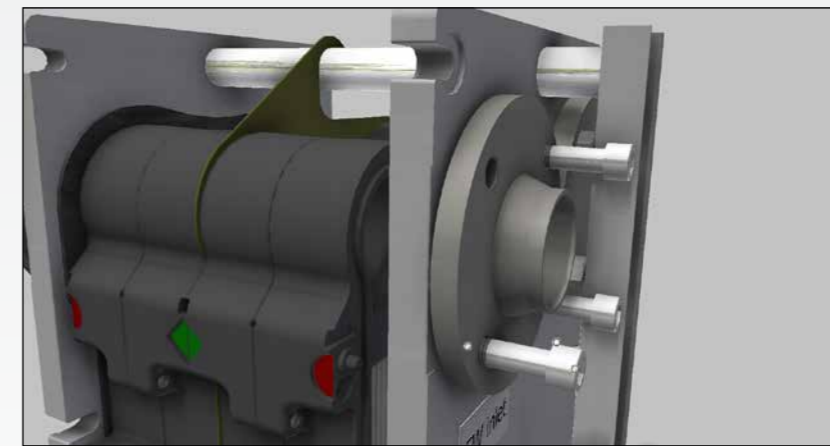
## - How to open the Sperre Pleat Combi-cooler



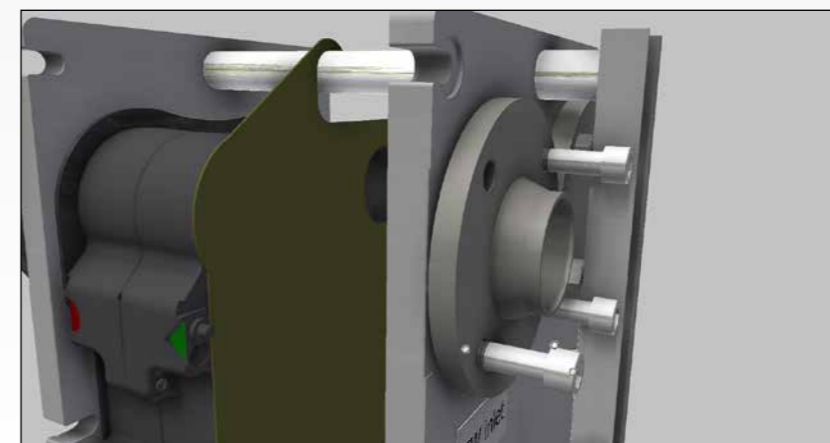
**1.** Remove one of the bolts on the connection flanges on the backplate



**2.** Remove the distance pieces between the flanges and the backplate

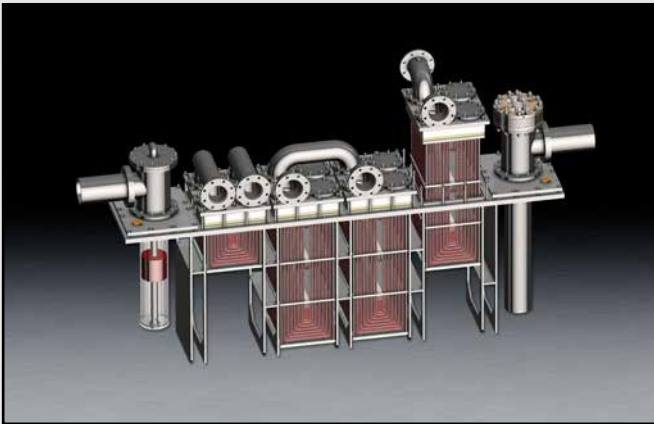


**3.** Remove the threaded rods and move the backplate towards the flanges



**4.** The elements and split-plate can easily be removed

## Sperre product range



Sperre Rack Coolers



Sperre Tube Coolers



Sperre Compressors



Sperre Air Receivers



Sperre's global network

**Sperre Coolers AS**  
Ellingsøy, Norway  
Tel. +47 70 10 42 00  
Fax. +47 70 16 11 10  
coolers@sperre.com

**Sperre Industri AS**  
Ellingsøy, Norway  
Tel. +47 70 16 11 00  
Fax. +47 70 16 11 10  
industri@sperre.com

**Sperre Rotterdam BV**  
The Netherlands  
Tel. +31 103030342  
rotterdam@sperre.com

**Sperre Asia PTE Ltd**  
Singapore  
Tel. +65 6 763 6300  
Fax. +65 6 763 1811  
asia@sperre.com

**Sperre China**  
Shanghai, P. R. China  
Tel. +86 21 6507 0436  
Fax. +86 21 6507 0402  
china@sperre.com

**Agent Network**  
[www.sperre.com/agents](http://www.sperre.com/agents)